

| REV. | DESCRIPTION | NAME | DATE |
|------|-------------|---------|------------|
| A | NEWS ISSUE | Rain.Yi | 2023/04/13 |

NOTES:

1.MATERIAL:

- 1-1. INSERTMOLDING: LCP, COLOR:BACK,UL94-V0.
- 1-2. CONTACT: C2680(T=0.20mm) ;
GOLD FLASH ON CONTACT AREA,
100u" Min. Tin PLATED ON SOLDER TAILS.
50u" Min. NICKEL PLATED OVERALL.
- 1-3. SHELL: SPCC,(T=0.40mm) ;
100u" Min. NICKEL PLATED OVERALL.
120u" Min. COPPER BOTTOM PLATED OVERALL.

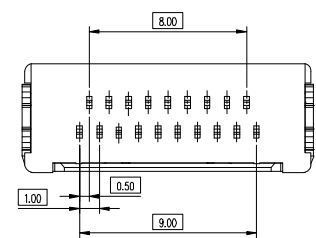
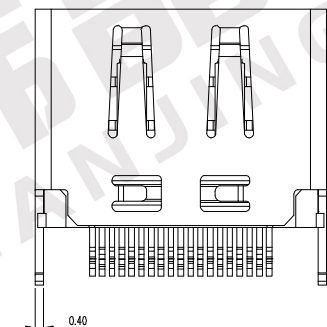
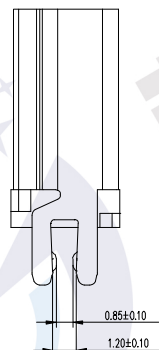
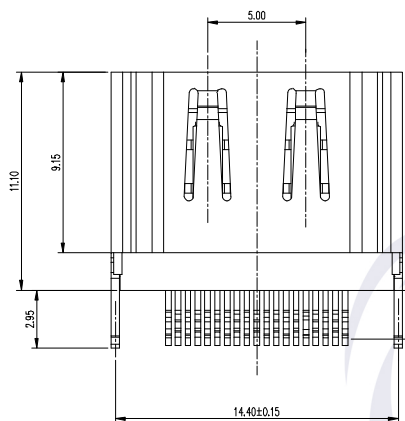
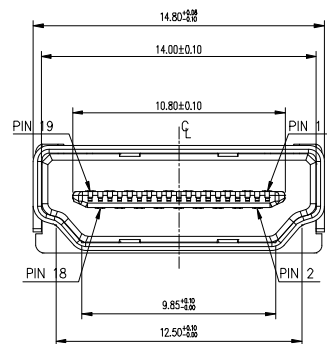
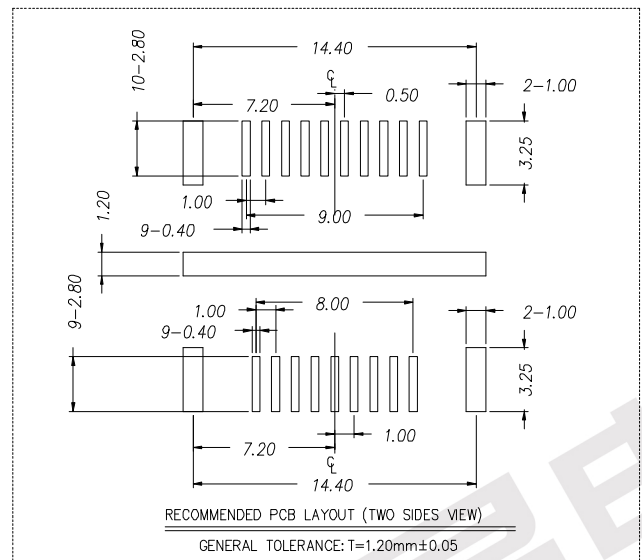
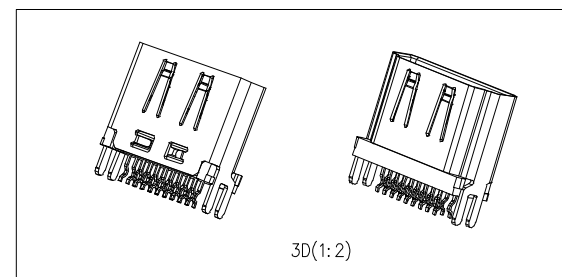
2.ELECTRICAL CHARACTERISTICS:

- 2-1. CURRENT RATING: 0.5A
- 2-2. CONTACT RESISTANCE: 30mΩ MAX.
- 2-3. INSULATION RESISTANCE: 100MΩ MIN.
- 2-4. DIELECTRIC WITHSTAND VOLTAGE: AC 500V/MINUTE.
- 2-5. OPERATING TEMPERATURE RANGE: -25°C~+85°C

3.MECHANICAL CHARACTERISTICS:


- 3-1. INSERTION FORCE: 4.5Kgf MAX.
- 3-2. EXTRACTION FORCE: 1.0Kgf MIN.,4.0Kgf MAX.
- 4.DURABILITY: 5000 CYCLES.
- 5.SALT FOG TEST: 24H.
- 6.PART NO. HAR01-1194K-00BR

K: GOLD FLASH PLATING ON CONTACT AREA,
Matte Tin PLATING ON SOLDER AREA



| PIN | Signal Assignment | PIN | Signal Assignment |
|-----|-------------------|-----|-------------------|
| 1 | TMDS Data2+ | 2 | TMDS Data2 Shield |
| 3 | TMDS Data2- | 4 | TMDS Data1+ |
| 5 | TMDS Data1 Shield | 6 | TMDS Data1- |
| 7 | TMDS Data0+ | 8 | TMDS Data0 Shield |
| 9 | TMDS Data0- | 10 | TMDS Clock+ |
| 11 | TMDS Clock Shield | 12 | TMDS Clock- |
| 13 | CEC | 14 | Utility |
| 15 | SCL | 16 | SDA |
| 17 | DDC/CEC Ground | 18 | +5V Power |
| 19 | Hot Plug Detect | | |

| TOLERANCE UNSPECIFIED | |
|-----------------------|------------|
| .0 | ±0.25 |
| .00 | ±0.10 |
| .000 | ±0.10 |
| X.* | ±1.00* |
| ASSEMBLY DRAWING | |
| DRAWN | Rain.Yi |
| DATE | 2023/04/13 |
| CHECKED | Rain.Yi |
| DATE | 2023/04/13 |
| APPROVED | LCY |
| DATE | 2023/04/13 |



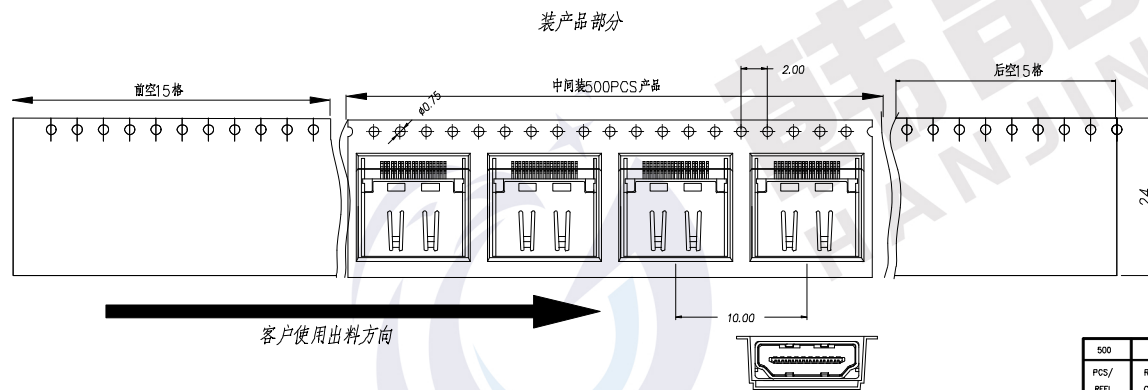
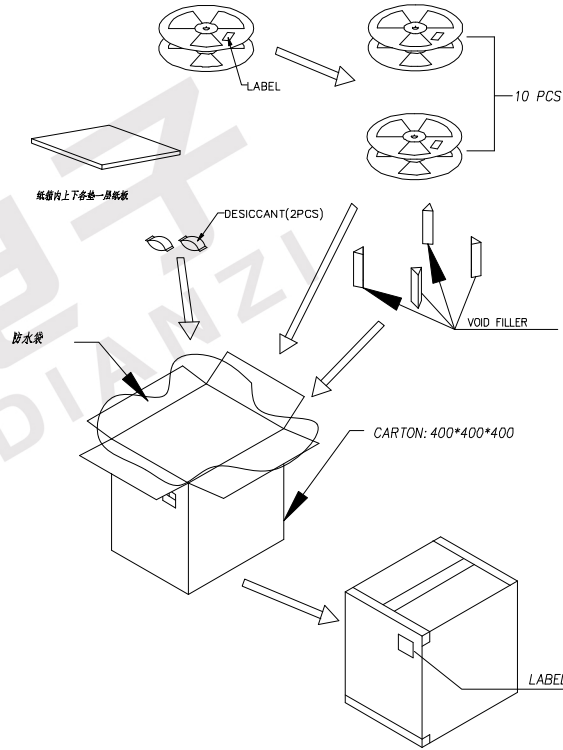
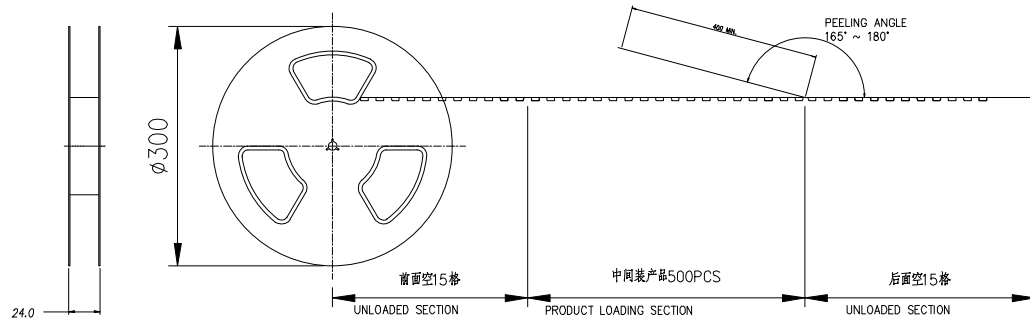
韩晶电子
HANJINGDIANZI

东莞市韩晶电子有限公司
Dongguan Hanjing Electronics Co., LTD

TITLE: HDMI 夹板式母座 成品图

| | | |
|------------|------------|---------------------------|
| SIZE: A4 | UNIT: mm. | PART.NO: HAR01-1194K-00BR |
| SCALE: 1:1 | PROJECTION | REV.: A |
| DWG PATH | | PATH 1/2 |

| REV. | DESCRIPTION | NAME | DATE |
|------|-------------|---------|------------|
| A | NEWS ISSUE | Rain.Yi | 2023/04/13 |



| PCS/REEL | REELS/CARTON | QUANTITY | GROSS WEIGHT | NET WEIGHT | SINGLE WEIGHT |
|----------|--------------|----------|--------------|------------|---------------|
| 500 | 10 | 5000 PCS | ---KG | ---KG | 1.75g |

NOTE:

- MATERIAL:
 BOX: FIBREBOARD, CORRUGATED, DOUBLE WALL.
 TAPE: POLYSTYRENES, HEAT-RESISTANT TEMPERATURE: 120°C, TRANSPARENT COLOR.
 REEL: POLYSTYRENES, HEAT-RESISTANT TEMPERATURE: 70°C, BLUE COLOR.
 BAG: POLYETHYLENE, HEAT-RESISTANT TEMPERATURE: 100°C.
- PEELING STRENGTH: 0.1 ~ 1.3 N (10 ~ 130 GRAMS)
- PEELING SPEED: 300 mm/min.

| | | | | | | | |
|---|-----------------------|--|-----------|------------|---|-------|-----|
| TOLERANCE UNSPECIFIED | |  东莞市韩晶电子有限公司 Dongguan Hanjing Electronics Co., LTD | | | | | |
| .0 ±0.25 .00 ±0.10 .000 ±0.10 X.* ±1.00* ASSEMBLY DRAWING | | TITLE: HDMI 夹板式每座 包装图 | | | | | |
| DRAWN DATE | Rain.Yi 2023/04/13 | SIZE: A4 | UNIT: mm. | PART.NO: | HAR01-1194K-00BR | | |
| CHECKED DATE | Rain.Yi 2023/04/13 | SCALE: | 1:1 | PROJECTION |  | REV.: | A |
| APPROVED DATE | LCY 2023/04/13 | DWG | PATH | | | PATH | 2/2 |