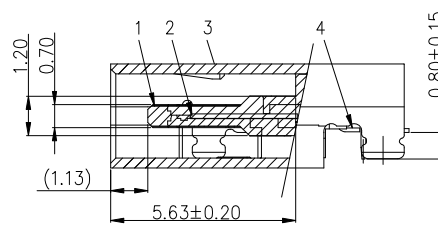
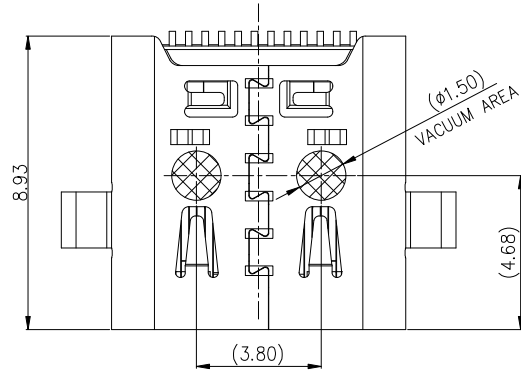


GP Component

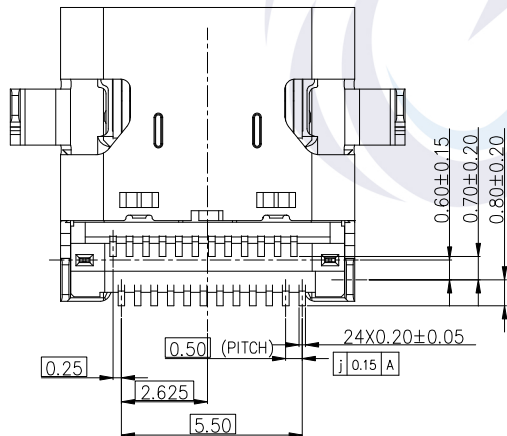
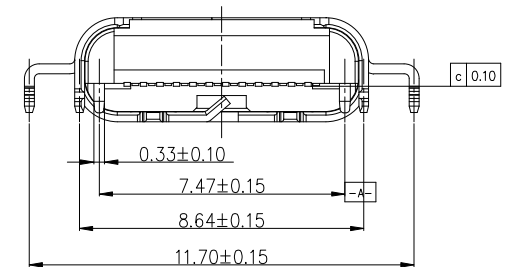
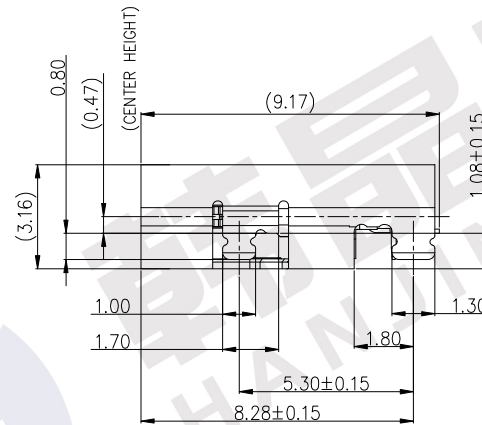
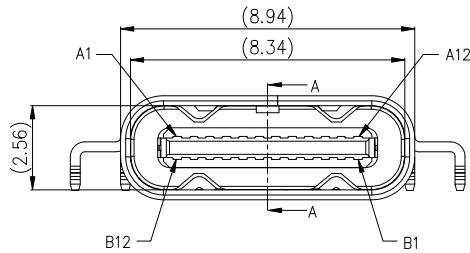
REV.	ECN NO.	LOCATIONS	DESCRIPTION	DATE	DESIGN
A0			原始版本(INITIAL EDITION)	2020.12.15	LIUJUN



NOTE/注释:

1. SPECIFICATION/规格:

- 1.1 Rated current (额定电流): 5.0 A
- 1.2 Voltage rating (额定电压): 5V AC
- 1.3 Contact Resistance (接触阻抗): 40 m Ω Max.
- 1.4 Insulation Resistance (绝缘阻抗): 100MΩ Min.
- 1.5 Withstanding voltage (耐电压): 100 VAC/minute
- 1.6 Mating force (插入力): 5~20N .
- 1.7 Unmating force (拔出力): 8~20N.
- 1.8 Durability Cycle(寿命循环): 10,000 cycle
- 1.9 Operating temperature (工作温度): -40~+85°



PART NO.

126-F243223 * - B80

H=镀金1u"

J=镀金3u"

K=镀金5u"

M=镀金15u"

N=镀金30u"

PIN ASSIGNMENT

A1	A2	A3	A4	A5	A6	A7	A8	A9	A10	A11	A12
GND	TX1+	TX1-	Vbus	CC1	D+	D-	SBU1	Vbus	RX2-	RX2+	GND
B12	B11	B10	B9	B8	B7	B6	B5	B4	B3	B2	B1

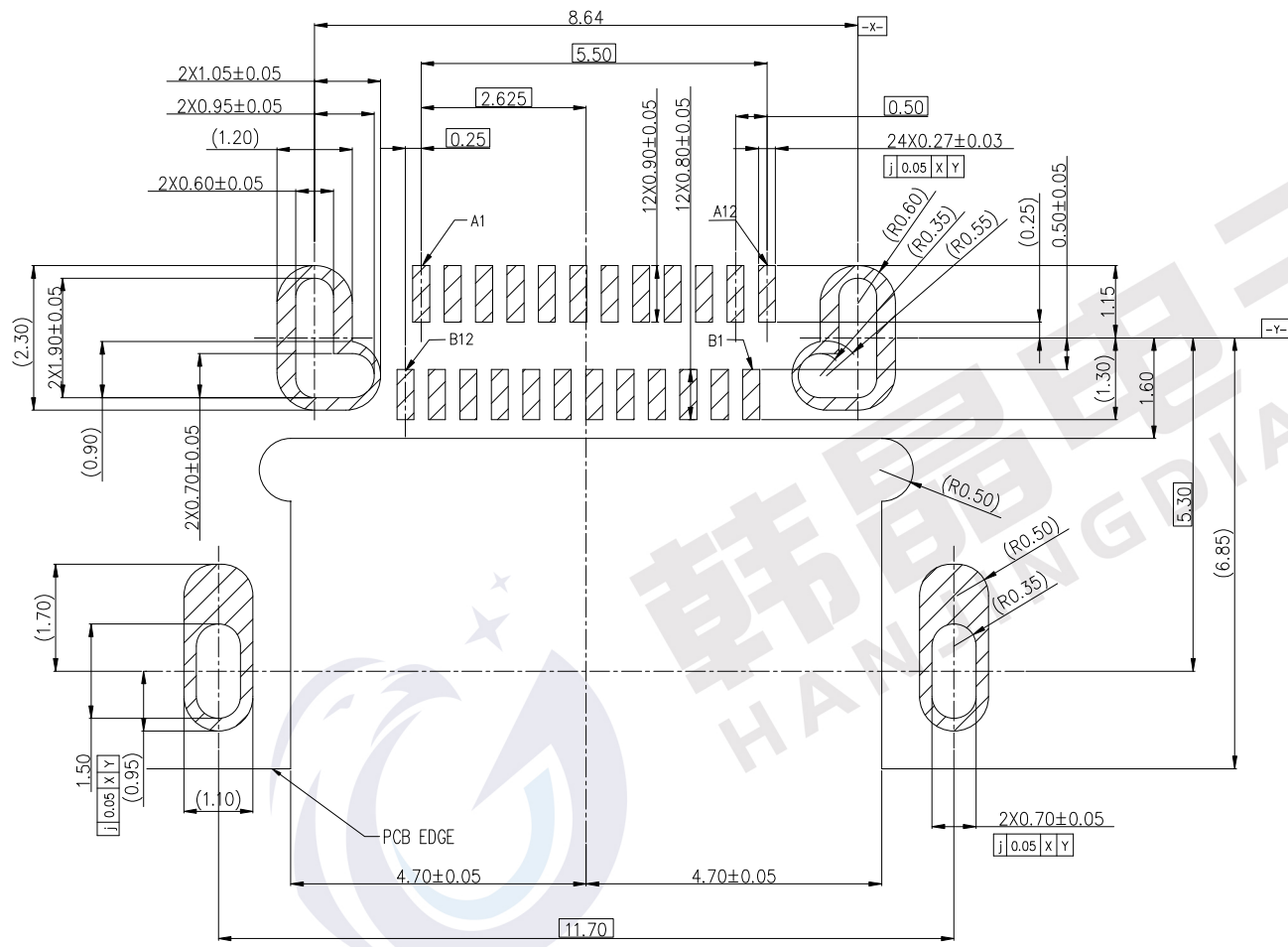


东莞市韩晶电子有限公司

TOLERANCE: X. ±0.30 X.X ±0.25 X.XX ±0.20 X.XXX ±0.15 X." ±1" X.X" ±0.5"	DESIGN BY :	DATE :	PART NAME:
	LIUJUN	2020.12.15	USB4 Type C 母座 无后盖 单壳双贴 SMT 沉板有DIP脚CH=0.5,L=9.17
 UNIT: mm [inch]	CHECKED BY:	DATE :	PART NO.
			126-F243223 * - B80
SCALE:1:1 SIZE: A4	APPROVED BY:	DATE :	MOLD NO.
			DRAW NO.
			SHEET NO.
			01 OF 03

GP Component

REV.	ECN NO.	LOCATIONS	DESCRIPTION	DATE	DESIGN
A0			原始版本(INITIAL EDITION)	2020.12.15	LIUJUN



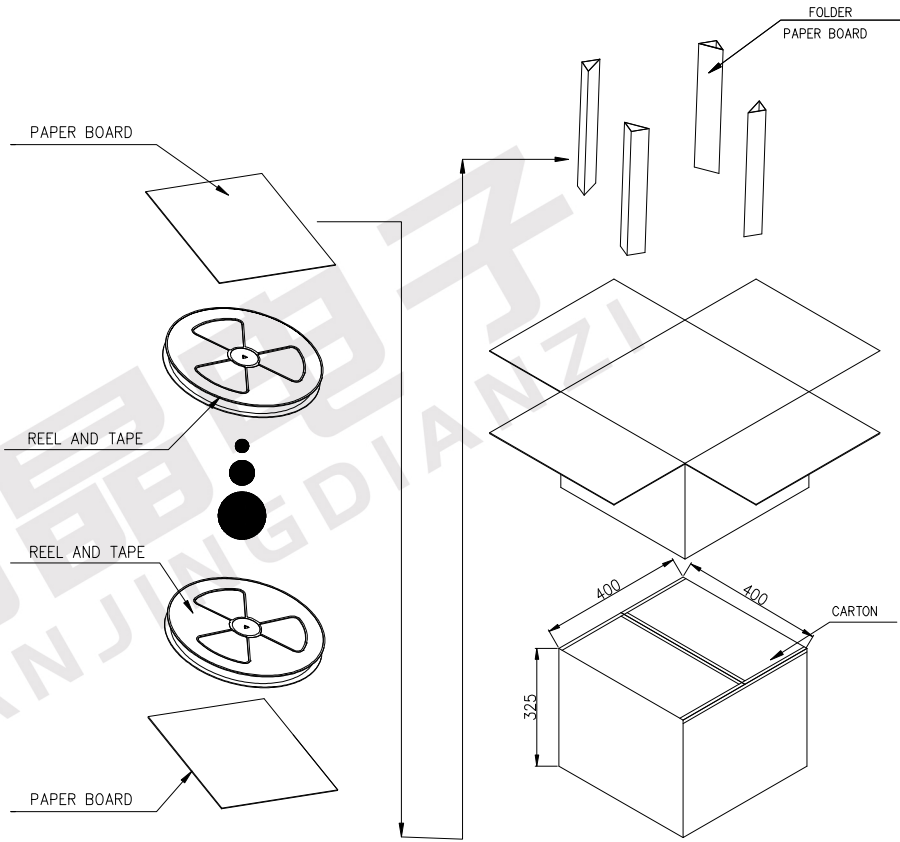
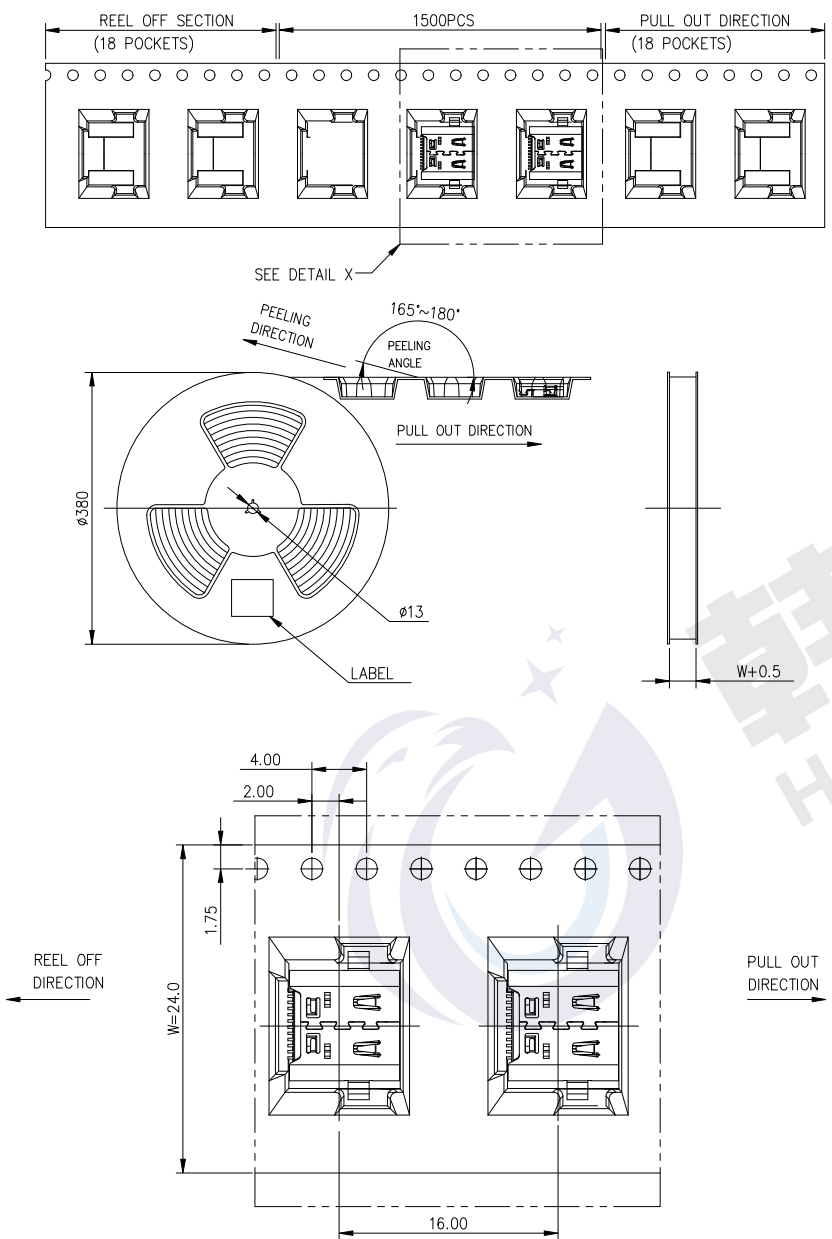
ITEM	DESCRIPTION	Q'TY	MATERIAL	FINISH	REMARK
4	TERMINAL	24	COPPER ALLOY	MATING SIDE:SEE PART NO; SOLDER TAIL:Gold FLASH, 50u" NICKEL OVERALL.	T=0.12
3	SHELL	1	SUS304	30U" NICKEL PLATING	T=0.30
2	MID PLATE	1	SUS301-H	30U" NICKEL PLATING	T=0.15
1	MAIN HOUSING	1	HIGH TEMPERATURE	PA9T BLACK	UL94V-0
BILL OF MATERIAL					

韩晶电子 东莞市韩晶电子有限公司
HANJINGDIANZI

TOLERANCE: X. ±0.30 X.X ±0.25 X.XX ±0.20 X.XXX ±0.15 X.* ±1* X.X* ±0.5*	DESIGN BY :	DATE :	PART NAME: USB4 Type C 母座 无后盖 单壳双贴 SMT 沉板有DIP脚CH=0.5,L=9.17
	LIUJUN	2020.12.15	
UNIT: mm [inch] SCALE: 1:1 SIZE: A4	CHECKED BY :	DATE :	PART NO. 126-F243223 * - B80
	APPROVED BY :	DATE :	MOLD NO.
			DRAW NO.
			SHEET NO. 02 OF 03

GP Component

REV.	ECN NO.	LOCATIONS	DESCRIPTION	DATE	DESIGN
A0			原始版本(INITIAL EDITION)	2020.12.15	LIUJUN



	REEL	CARTON
CONNECTOR (PCS)	1500	15000

韩晶电子 HANJING ELECTRONICS
 东莞市韩晶电子有限公司

TOLERANCE: X. ±0.25 X.X ±0.20 X.XX ±0.15 X.XXX ±0.10 X." ±1" X.X" ±0.5"	DESIGN BY:	DATE:	PART NAME:	
	LIUJUN	2020.12.15	USB4 Type C 母座 无屏蔽 单壳双贴 SMT 基板间距CH=0.5,L=9.17包装规格	
UNIT: mm [inch] SCALE: 1:1 SIZE: A4	CHECKED BY:	DATE:	PART NO.	126-F243223 * - B80
	APPROVED BY:	DATE:	MOLD NO.	
			DRAW NO.	
			SHEET NO.	03 OF 03