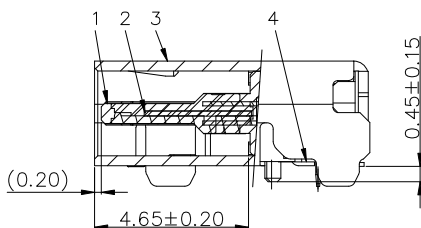
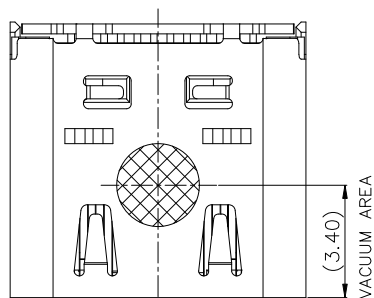


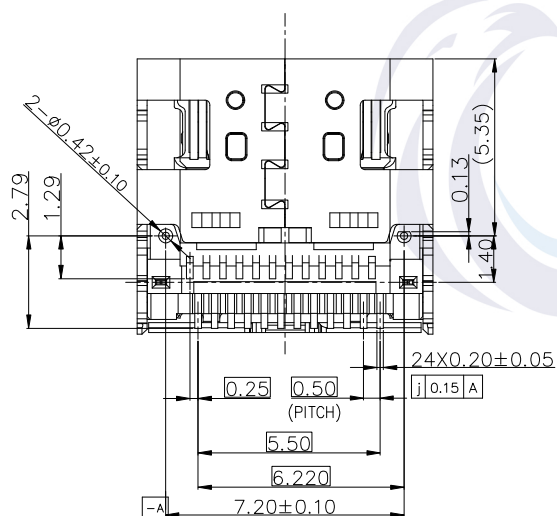
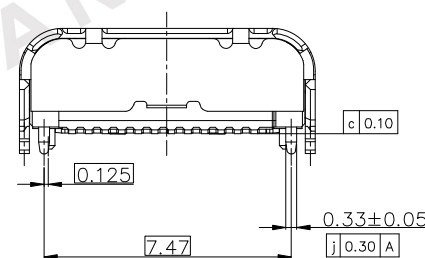
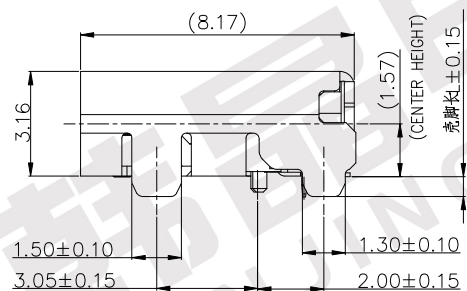
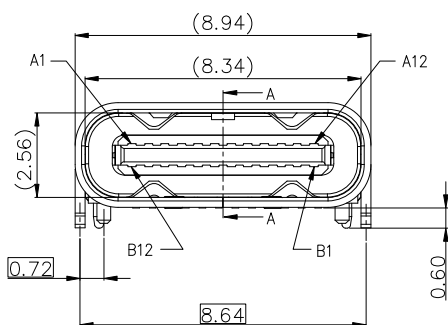
REV.	ECN NO.	LOCATIONS	DESCRIPTION	DATE	DESIGN
A0			原始版本(INITIAL EDITION)	2020.12.15	LIUJUN
A1			增加产品型号及电镀测点位置	2023.8.26	WILL



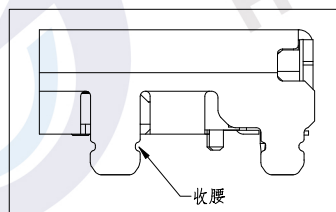
NOTE/注释:

1. SPECIFICATION/规格:

- 1.1 Rated current (额定电流): 5.0 A
- 1.2 Voltage rating (额定电压): 5V AC
- 1.3 Contact Resistance (接触阻抗): 40 m Ω Max.
- 1.4 Insulation Resistance (绝缘阻抗): 100MΩ Min.
- 1.5 Withstanding voltage (耐压): 100 VAC/minute
- 1.6 Mating force (插入力): 5~20N
- 1.7 Unmating force (拔出力): 8~20N
- 1.8 Durability Cycle (寿命循环): 10,000 cycle
- 1.9 Operating temperature (工作温度): -40~+85°



PART NO.
126-F243223 * - B86(-A/B/C)



- H=镀金1u"
- J=镀金3u"
- K=镀金5u"
- M=镀金15u"
- N=镀金30u"

备注: 脚长1.2与1.6的壳脚外形有收腰; 脚长0.6与0.9的壳脚外形无收腰。

126-F243223	* - B86-C	1.60	P-B1224-011
126-F243223	* - B86-B	1.20	P-B1224-004
126-F243223	* - B86-A	0.90	P-B1224-004
126-F243223	* - B86	0.60	P-B1224-004
料号	外壳脚长	包装载带料号	

PIN ASSIGNMENT:

A1	A2	A3	A4	A5	A6	A7	A8	A9	A10	A11	A12
GND	TX1+	TX1-	Vbus	CC1	D+	D-	SBU1	Vbus	RX2-	RX2+	GND
GND	RX1+	RX1-	Vbus	SBU2	D-	D+	CC2	Vbus	TX2-	TX2+	GND
B12	B11	B10	B9	B8	B7	B6	B5	B4	B3	B2	B1

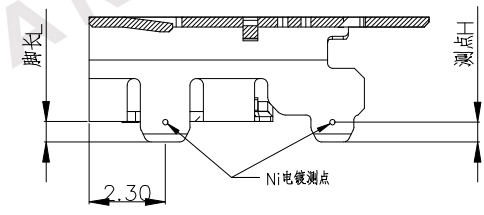
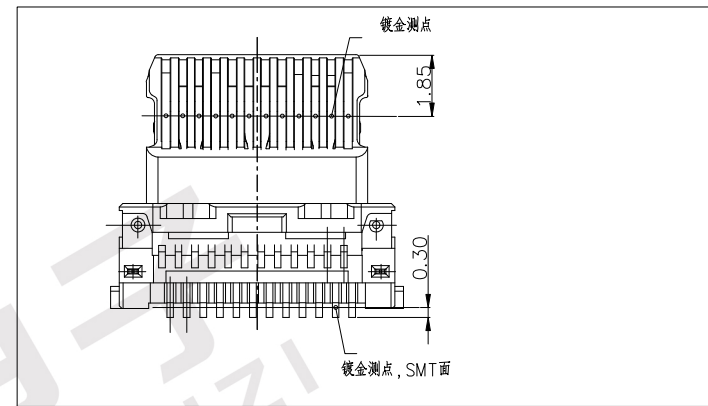
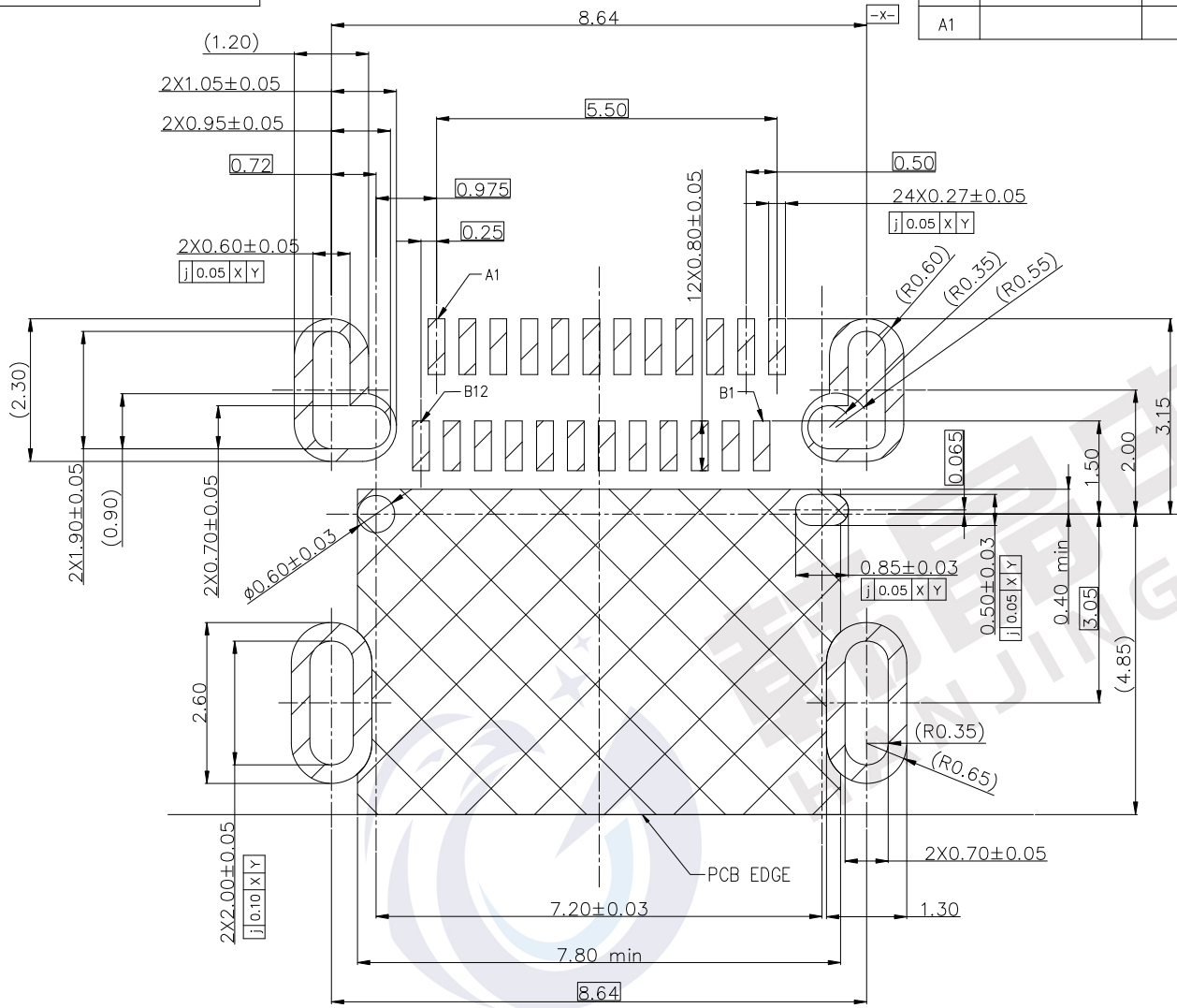


东莞市韩晶电子有限公司

TOLERANCE: X. ±0.30 X.X ±0.25 X.XX ±0.20 X.XXX ±0.15 X." ±1" X.X" ±0.5"	DESIGN BY:	DATE:	PART NAME:
	LIUJUN	2020.12.15	USB4 Type C 母座 有后盖 单壳双贴 SMT 板上有DIP脚,CH=1.57 ,L=8.17
UNIT: mm [inch] SCALE: 1:1 SIZE: A4	CHECKED BY:	DATE:	PART NO.
			126-F243223 * - B86
	APPROVED BY:	DATE:	MOLD NO.
			DRAW NO.
			SHEET NO.
			01 OF 03

GP Component

REV.	ECN NO.	LOCATIONS	DESCRIPTION	DATE	DESIGN
A0			原始版本(INITIAL EDITION)	2020.12.15	LIUJUN
A1			增加产品型号及电镀测点位置	2023.8.26	WILL



126-F243223	*	- B86-C	1.60	1.50
126-F243223	*	- B86-B	1.20	1.10
126-F243223	*	- B86-A	0.90	0.90
126-F243223	*	- B86	0.60	0.60
料号		壳脚长		镍测点H

ITEM	DESCRIPTION	Q'TY	MATERIAL	FINISH	REMARK
4	TERMINAL	24	COPPER ALLOY		T=0.12
3	SHELL	1	SUS 304	30U " NICKEL PLATING	T=0.30
2	MID PLATE	1	SUS301-H	30U" NICKEL PLATING	T=0.15
1	MAIN HOUSING	1	HIGH TEMPERATURE PA9T	BLACK	UL94V-0
BILL OF MATERIAL					

MATING SIDE: SEE PART NO;
SOLDER TAIL: Gold FLASH, 50u" NICKEL OVERALL.

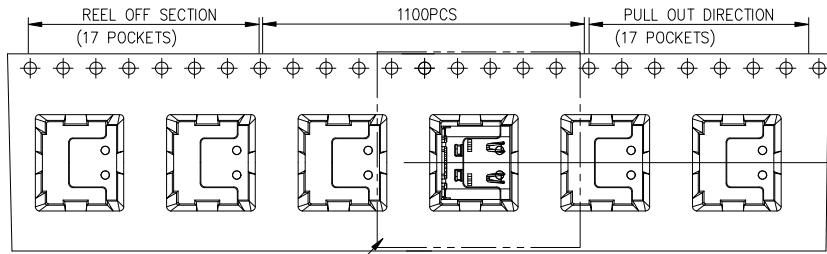
东莞市韩晶电子有限公司

韩晶电子
HANJING ELECTRONICS

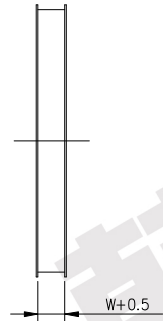
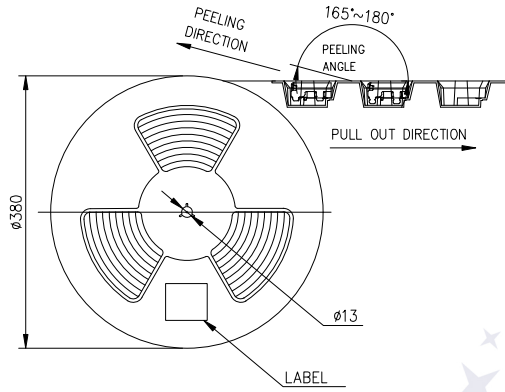
TOLERANCE: X. ±0.30 X.X ±0.25 X.XX ±0.20 X.XXX ±0.15 X." ±1" X.X" ±0.5"	DESIGN BY : LIUJUN	DATE : 2020.12.15	PART NAME: USB4 Type C 母座 有后盖 单壳双贴 SMT 板上有DIP脚, CH=1.57, L=8.17
	CHECKED BY:	DATE :	PART NO. 126-F243223 * - B86
	APPROVED BY:	DATE :	MOLD NO.
UNIT: mm [inch]			DRAW NO.
SCALE: 1:1	SIZE: A4		SHEET NO. 02 OF 03

GP Component

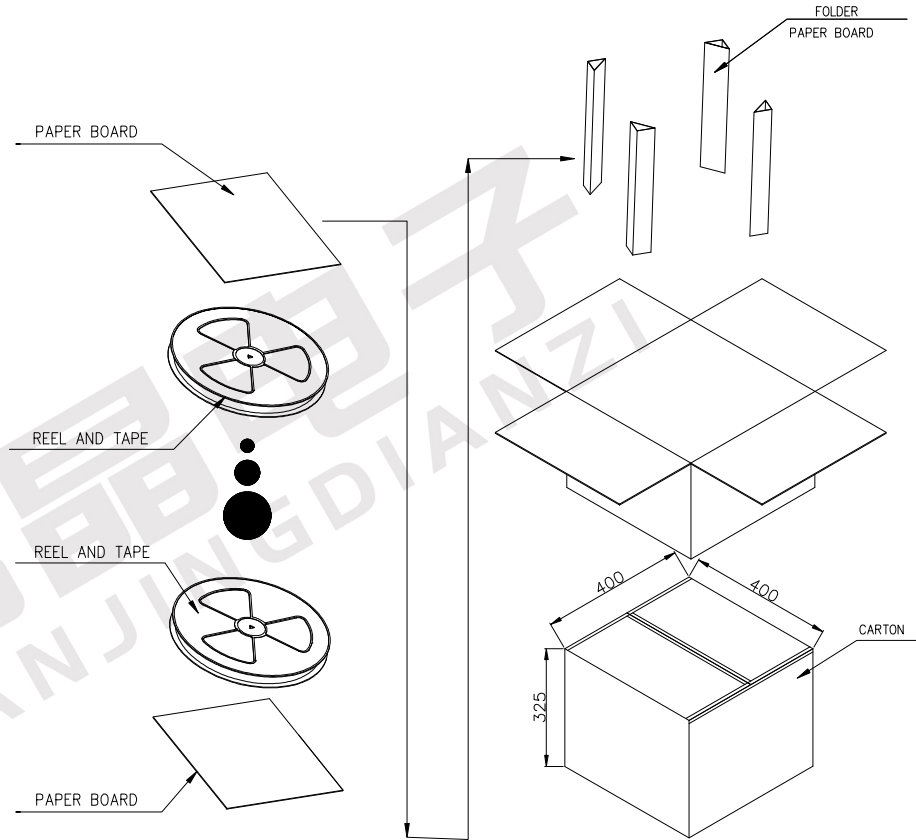
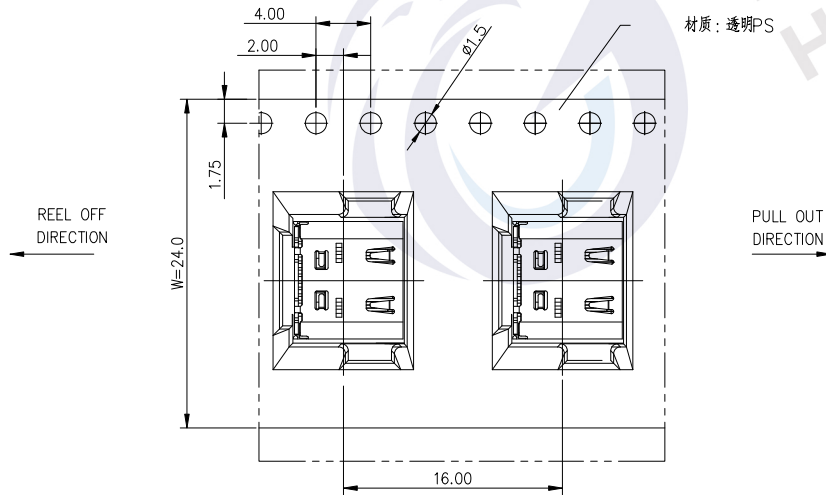
REV.	ECN NO.	LOCATIONS	DESCRIPTION	DATE	DESIGN
A0			原始版本(INITIAL EDITION)	2020.12.15	LIUJUN
A1			增加产品型号及电镀测点位置	2023.8.26	WILL



SEE DETAIL X



材质: 透明PS



	REEL	CARTON
CONNECTOR (PCS)	1100	11000



东莞市韩晶电子有限公司

TOLERANCE: X. ±0.25 X.X ±0.20 X.XX ±0.15 X.XXX ±0.10 X.* ±1* X.X* ±0.5*	DESIGN BY :	DATE :	PART NAME:
	LIUJUN	2020.12.15	USB4 Type C 母座有后盖单壳 双贴SMT 板上有IP脚,CH=1.57, L=8.17包装规范
 UNIT: mm [inch] SCALE: 1:1 SIZE: A4	CHECKED BY:	DATE :	PART NO.
			126-F243223 * - B86
	APPROVED BY:	DATE :	MOLD NO.
			DRAW NO.
			SHEET NO.
			03 OF 03