

REV.	DESCRIPTION	NAME	DATE
X1	NEWS ISSUE	LXH	2020.03.07

NOTE:


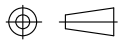
- MATERIAL SPECIFICATION:
 - HOUSING: HIGH TEMPERATURE RESISTANT PLASTIC, UL94 V-0.
 - CONTACTS: COPPER ALLOY
- PLATING SPECIFICATION:
 - CONTACTS:
 - Ni 50u" MIN. UNDER PLATED OVER ALL.
 - Au PLATED ON THE FUNCTIONAL AREA OF CONTACT. (GOLD PLATING THICKNESS FOLLOW THE P/N)
 - GOLD FLASH PLATING ON SOLDER AREA
 - FRONT SHELL:
 - Ni 30u" MIN. UNDER PLATED OVER ALL.
- MECHANICAL PERFORMANCE,
 - INSERTION FORCE: 0.5~2.0kgf.
 - REMOVAL FORCE: 0.8kgf~2.0kgf.
 - DURABILITY: 10000 CYCLES.
- ELECTRICAL PERFORMANCE,
 - CURRENT RATING: 5.0A
VOLTAGE RATING: 20V
 - INSULATION RESISTANCE: 100MΩ MIN
 - DIELECTRIC WITHSTAND VOLTAGE, AC 100V FOR 1 MINUTE.
 - LOW CONTACT RESISTANCE: INITIAL 40MΩ /AFTER 50MΩ
- ENVIRONMENTAL PERFORMANCE:
 - OPERATING TEMPERATURE: -30°C~+80°C.
- IR REFLOW:
 - THE PEAK TEMPERATURE ON THE BOARD SHALL BE MAINTAINED FOR 10 SECONDS AT 260°C.

Code	DIM L	DIM A
0	6.80	4.90
1	6.50 ^{+0.09} _{-0.15}	4.60

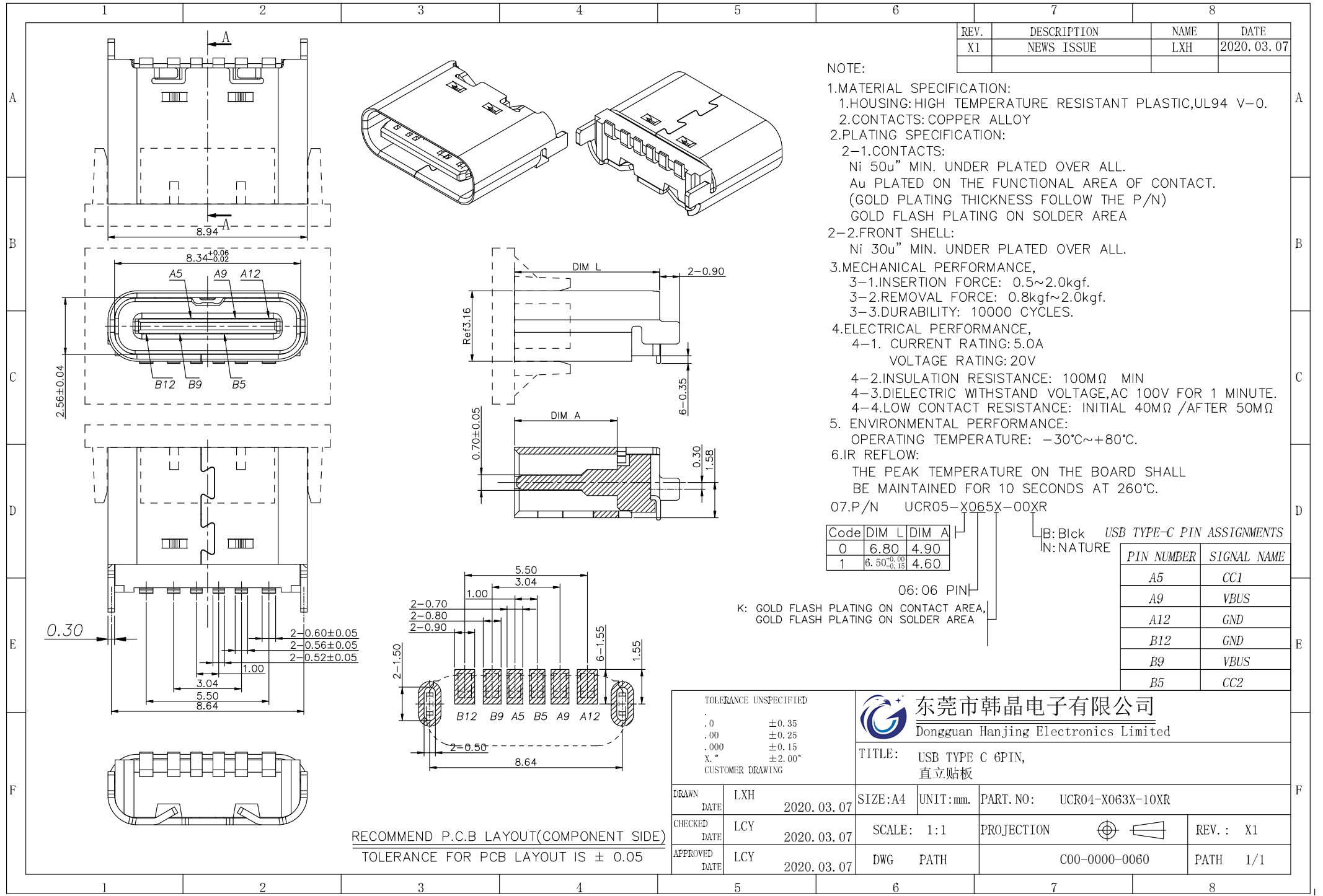
06:06 PIN
 B: Blck USB TYPE-C PIN ASSIGNMENTS
 N: NATURE

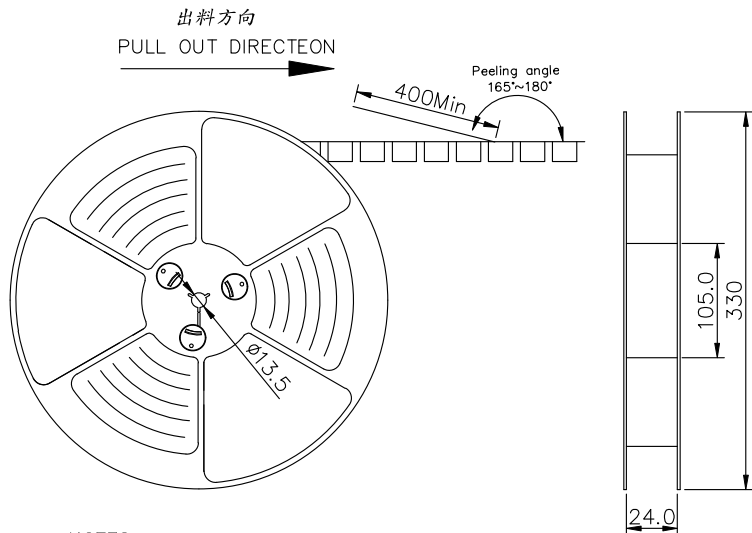
PIN NUMBER	SIGNAL NAME
A5	CC1
A9	VBUS
A12	GND
B12	GND
B9	VBUS
B5	CC2

K: GOLD FLASH PLATING ON CONTACT AREA,
 GOLD FLASH PLATING ON SOLDER AREA

TOLERANCE UNSPECIFIED		 东莞市韩晶电子有限公司 Dongguan Hanjing Electronics Limited	
.0	±0.35	TITLE: USB TYPE C 6PIN, 直立贴板	
.00	±0.25	DRAWN: LXH DATE: 2020.03.07	
.000	±0.15	SIZE: A4	UNIT: mm. PART. NO: UCR04-X063X-10XR
X. "	±2.00°	CHECKED: LCY DATE: 2020.03.07	SCALE: 1:1 PROJECTION  REV.: X1
CUSTOMER DRAWING		APPROVED: LCY DATE: 2020.03.07	DWG PATH: C00-0000-0060 PATH 1/1

RECOMMEND P.C.B LAYOUT (COMPONENT SIDE)
 TOLERANCE FOR PCB LAYOUT IS ± 0.05

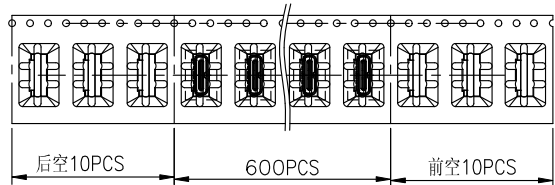




NOTES

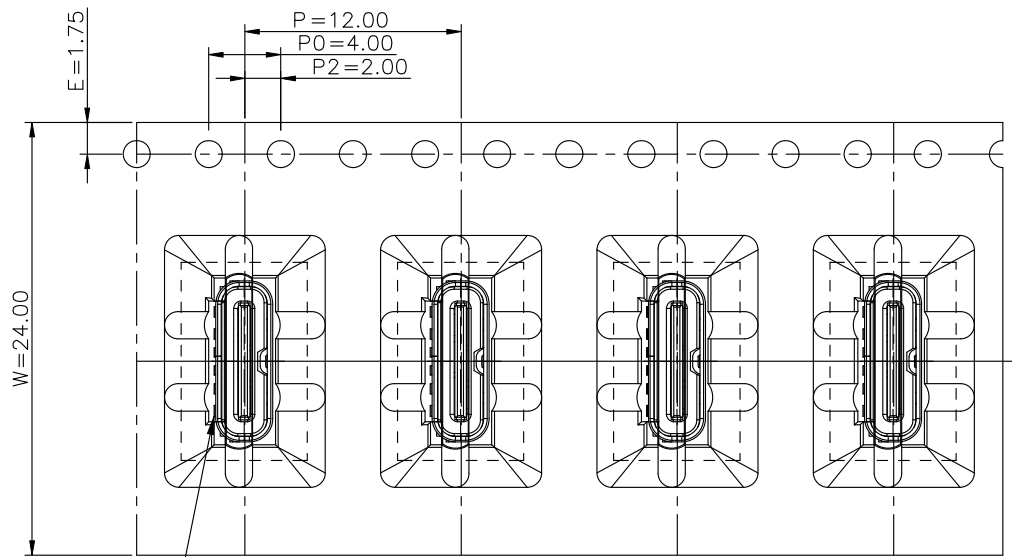
1. 帶子引導長度
LEAD TAPE LENGTH

出料方向 PULL OUT DIRECTEON
出料方向 PULL OUT DIRECTEON



2. 上帶 剝力力為：0.1~1.3N(10.2gf~130gf)
PEELING OFF FORCE OF TOP TAPE: 0.1~1.3N(10.2gf~130gf)

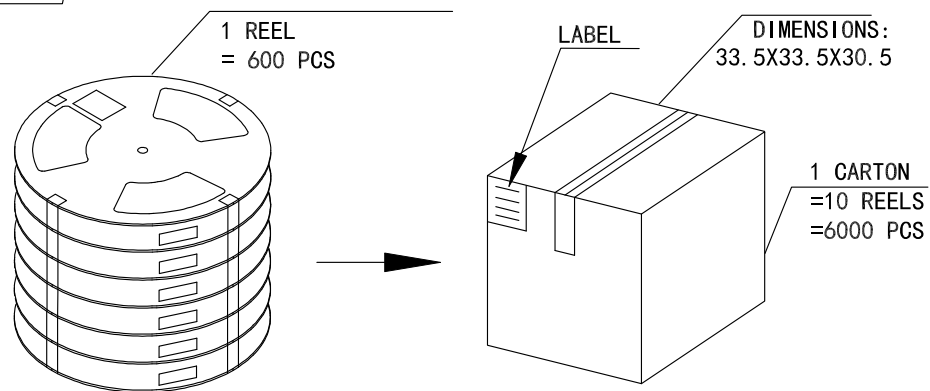
出貨運輸過程中一定注意：
THIS REQUIREMENT SHOULD BE APPLIED AT SHIPMENT：
卷帶在運輸過程中不能啟開
PEELING OFF SHOULD NOT BE ALLOWED DURING TRANSPORTATION




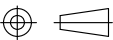
焊脚插左

TAPE & REEL 10 PCS

BOX



包明表 (The detail of the packing) Carton						
品料 (Product No.)	包容量 (Packing Capacity)			重量 Weight (Kg)		
	pcs/box	boxs/Carton	Pcs/Box	N.W./Pcs	N.W./Box	G.W./Box
UCR04-X063X-10XR	600	10	6000	----	----	----

TOLERANCE UNSPECIFIED		 东莞市韩晶电子有限公司 Dongguan Hanjing Electronics Limited			
.0 ±0.35 .00 ±0.25 .000 ±0.15 X.° ±2.00° CUSTOMER DRAWING		TITLE: USB TYPE C 6PIN, 直立贴板			
DRAWN DATE	LXH 2020.03.07	SIZE:A4	UNIT:mm.	PART. NO: UCR04-X063X-10XR	
CHECKED DATE	LCY 2020.03.07	SCALE: 1:1	PROJECTION	 REV.: X1	
APPROVED DATE	LCY 2020.03.07	DWG PATH	C00-0000-0060		PATH 2/2